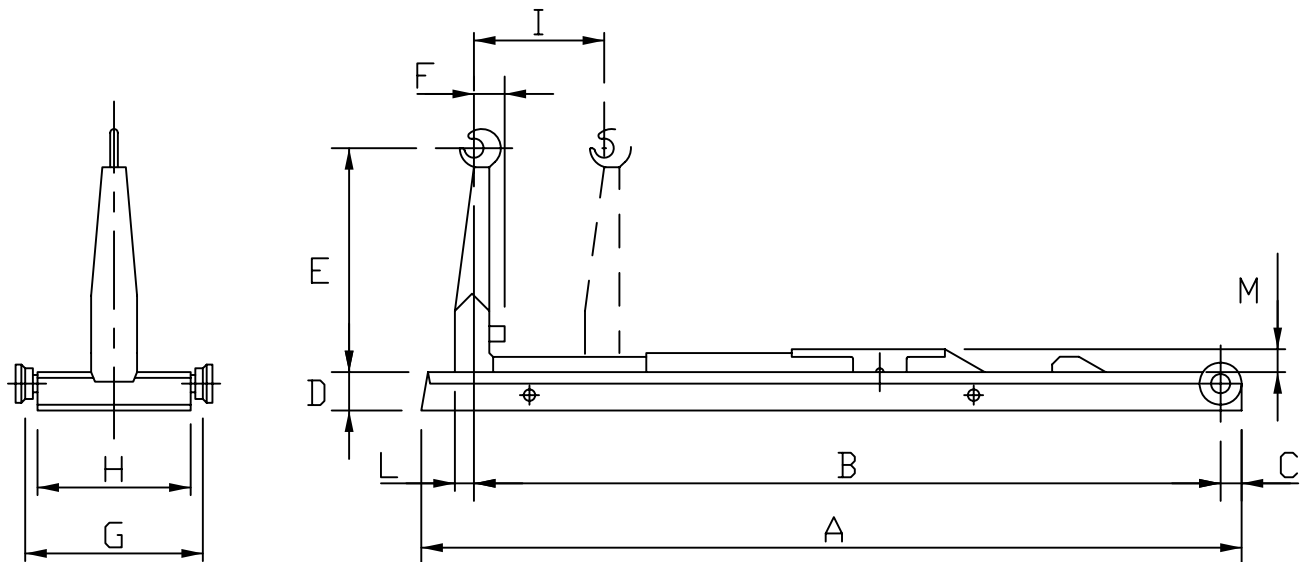


HOOKLIFTS A.T.I.B. LIFT

TECHNICAL SPECIFICATIONS - standard types

Type	Lifting capacity Ton.	Container length indicative m.	Tipping angle	Max. working pressure Bar	Pump capacity lt. x1000RPM	Weight Kg.
AT 3/29	3	(2,5) 3,5	50°	200	20-30	500
AT 5/32	5	(2,9) 3,8	48°	220		750
AT 5/34		(3,0) 4,0	56°			850
AT 5/36		(3,0) 4,2	54°			880
AT 8-10/29	8-10	(2,6) 3,5	50°	260	40	1300
AT 8-10/39		(3,5) 4,5	53°			1450
AT 8-10/47		(4,2) 5,4	50°			1590



Type	A	B	C	D	E	F	G	H	I	L	M
AT 3/29	3105	2845	80	120	900	140	1070	858	550	60	108
AT 5/32	3550	3205		140	1420 1460 1570	160		860	625	76	90
AT 5/34	3650	3405		160	900	150			725		
AT 5/36	3880	3605		160	900				150	790	
AT 8-10/29	3350	2905	120	180	1420	150	862	550	80	130	
AT 8-10/39	4370	3830 3930			1460			760 860			
AT 8-10/47	5070	4635 4735			1570			925 1025			138

E= Varying measures depending on different needs