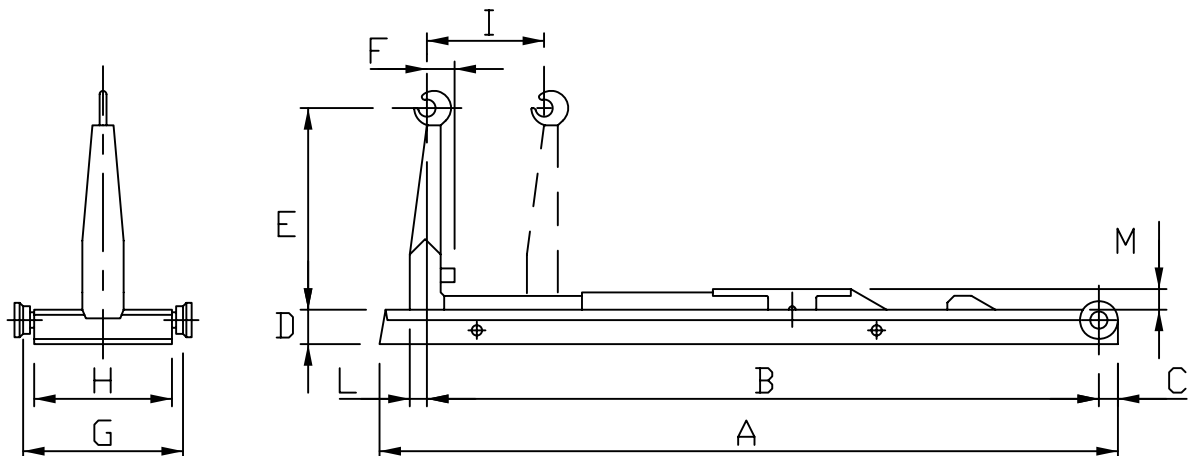


HOOKLIFTS A.T.I.B. LIFT

TECHNICAL SPECIFICATIONS - standard types

Type	Lifting capacity Ton.	Container length Indicative m.	Tipping angle	Max. working pressure Bar	Pump capacity lt. x1000RPM	Weight Kg.
AT 12-14/40	12-14	(3,6) 4,6	50°	280	40-50	1640
AT 12-14/45		(4,0) 5,2				1740
AT 12-14/50		(4,4) 5,6	53°			1825
AT 12-14/52		(4,5) 6,0	50°			1875
AT 12-14/54		(4,5) 6,2				1910
AT 16/46	16	(4,0) 5,2	53°	300	50-60	2100
AT 16-18/50	16-18	(4,5) 5,6				2240
AT 16-18/52		(4,5) 6,0				50°
AT 16-18/54		(4,5) 6,2			2350	
AT 16-18/56		(5,0) 6,4			54°	2450
AT 16-18/58	(5,0) 6,5	53°	60	2550		



Type	A	B	C	D	E	F	G	H	I	L	M
AT 12-14/40	4375	3940	120	220	1420	170	1070	862	730	90	120
AT 12-14/45	4900	4400 4500		240					660 760		
AT 12-14/50	5350	4900 5000		210					930 1030		
AT 12-14/52	5550	5100 5200							122	930 1030	
AT 12-14/54		5250 5350								1030 1130	
AT 16/46	5000	4500 4600	100	240	1570	170	1070	862	800 900	132	
AT 16-18/50	5400	4910 5010							925 1025		
AT 16-18/52	5700	5110 5210							135		925 1025
AT 16-18/54		5260 5360								1025 1125	
AT 16-18/56	6110	5500 5600							110	250	1080 1180
AT 16-18/58	6310	5700 5800	1080 1180								

E= Varying measures depending on different needs