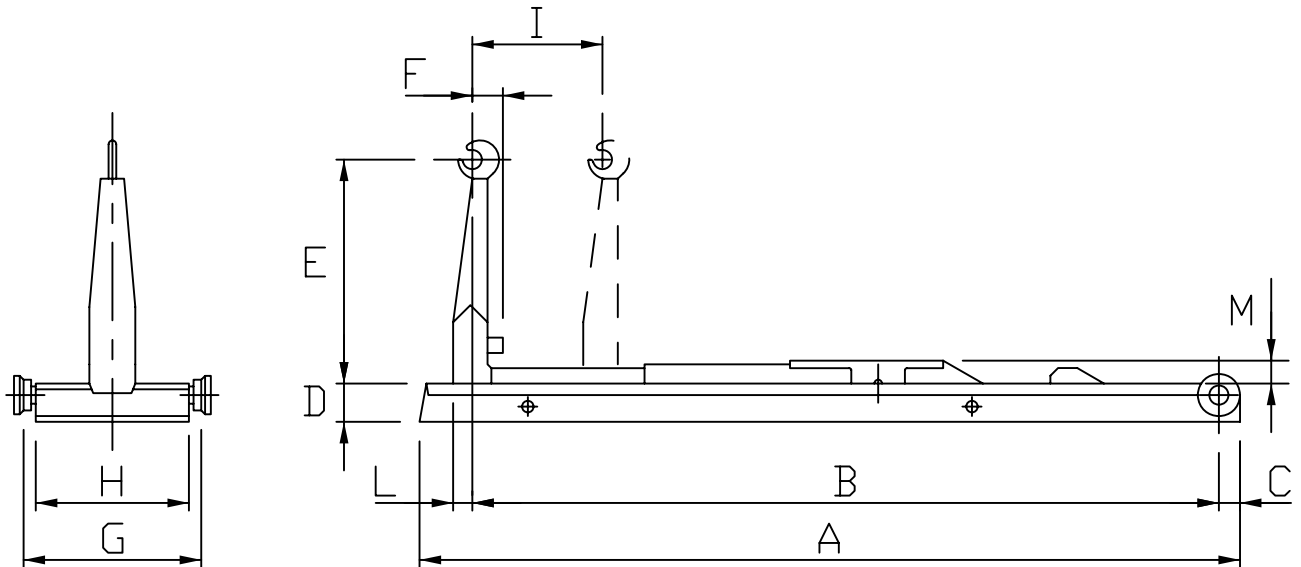


HOOKLIFTS A.T.I.B. LIFT

TECHNICAL SPECIFICATIONS - standard types

Type	Lifting capacity Ton.	Container length indicative m.	Tipping angle	Max. working pressure Bar	Pump capacity lt. x1000RPM	Weight Kg.
AT 20/46	20	(4,0) 5,2	50°	300	50-60	2250
AT 20/60		(5,2) 6,8	55°	330	60	2850
AT 20/64		(5,6) 7,2	52°			3000
AT 20/67		(5,8) 7,5		3100		



Type	A	B	C	D	E	F	G	H	I	L	M
AT 20/46	5000	4500 4600	120	240	1420	170	1070	864	800 900	110	135
AT 20/60	6550	5900 6000	160	280					1460	1150 1250	145
AT 20/64	6850	6300 6400			1570				1330 1430		
AT 20/67		6560 6660									

E= Varying measures depending on different needs