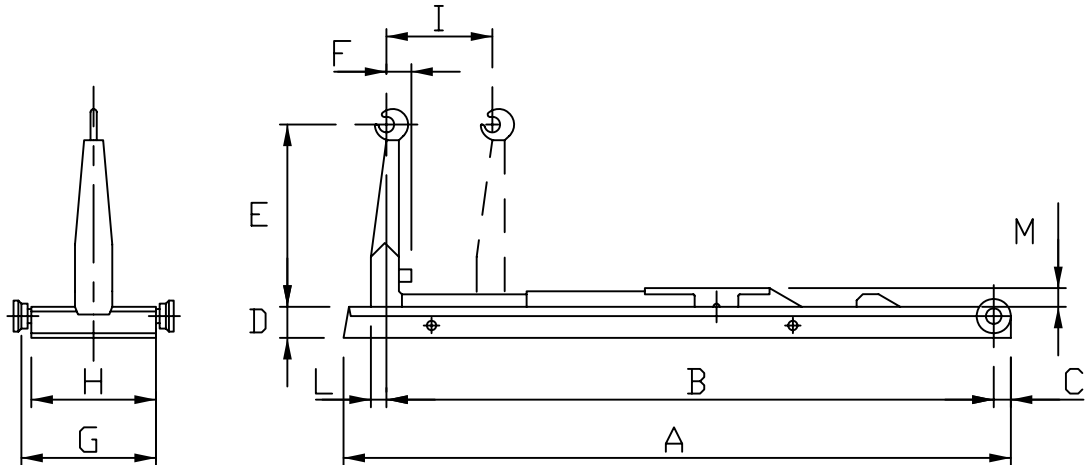


# HOOKLIFTS A.T.I.B. LIFT

## TECHNICAL SPECIFICATIONS - standard types

Type	Lifting capacity Ton.	Container length Indicative m.	Tipping angle	Max. working pressure Bar	Pump capacity lt. x1000RPM	Weight Kg.
AT 25/50	25	(4,5) 5,6	53°	320	60	2730
AT 25/52		(4,5) 6,0	50°			2780
AT 25/54		(4,5) 6,2	54°			2810
AT 25/56		(5,0) 6,4	52°			2960
AT 25/58		(5,0) 6,5				3050
AT 25/64		(5,6) 7,2				3200
AT 30/52	30	(4,5) 6,0	50°	350	60-80	3050
AT 30/54		(4,5) 6,2	54°			3100
AT 30/56		(5,0) 6,4	53°			3200
AT 30/58		(5,0) 6,5	51°			3250
AT 30/61		(5,5) 7,0				3350
AT 30/64		(5,6) 7,2				3500



Type	A	B	C	D	E	F	G	H	I	L	M	
AT 25/50	5400	4910 5010	120	240	1420	170	1070	866	925 1025	110	135	
AT 25/52	5700	5110 5210							1080 1180			
AT 25/54		5260 5360							1180 1250			
AT 25/56	6150	5500 5600	160	280	1460	170	1070	862	1080 1180	145	140	
AT 25/58	6350	5700 5800						864	1150 1250			
AT 25/64	6850	6300 6400						886	925 1025 1025 1125			
AT 30/52	5700	5110 5210	160	280	1570	170	1070	886	1080 1180	150	160	
AT 30/54		5260 5360							1080 1180			
AT 30/56	6150	5500 5600							1180 1250			
AT 30/58	6350	5700 5800	1200 1300									
AT 30/61	6650	6000 6100										
AT 30/64	6850	6270 6370										

E= Varying measures depending on different needs