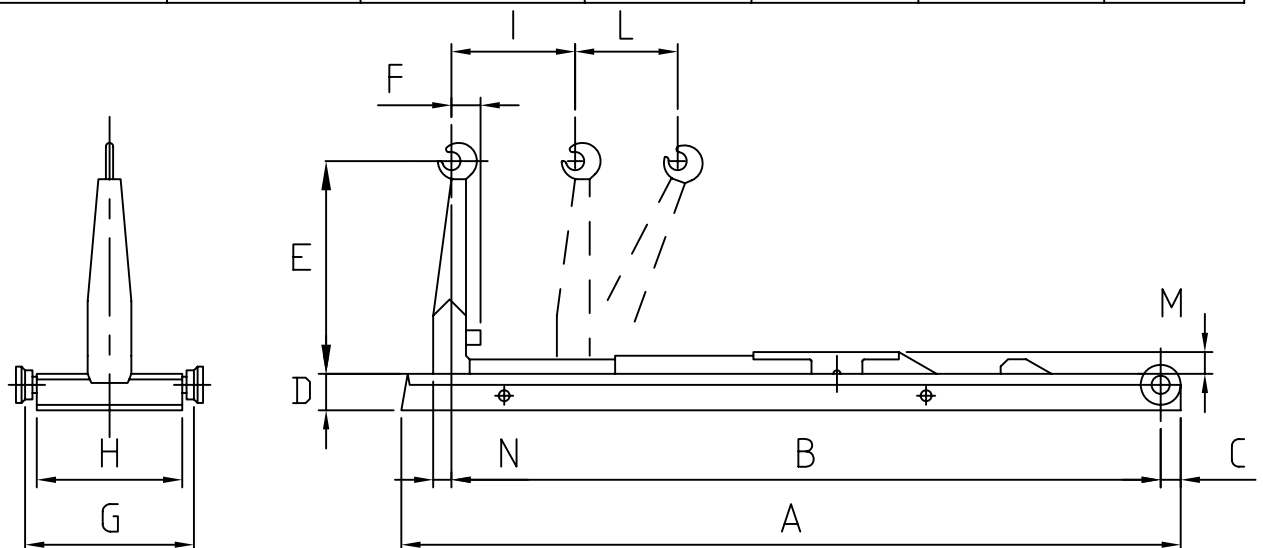


HOOKLIFTS A.T.I.B. LIFT

FS version

Type	Lifting capacity Ton.	Container length Indicative m.	Tipping angle	Max. working pressure Bar	Pump capacity lt. x1000RPM	Weight Kg.
AT 16-18/50 FS	16-18	(4,0) 5,6	50°	320	60	2625
AT 16-18/56 FS		(4,2) 6,4				2850
AT 20/63 FS	20	(4,5) 7,0	52°	330	60	3500
AT 22/59 FS	22	(4,5) 6,7	50°			3430
AT 22/63 FS		(4,5) 7,0	52°	3550		
AT 25/59 FS	25	(4,5) 6,7	50°	340	60-80	3480
AT 30/56 FS	30	(4,2) 6,4				53°
AT 30/63 FS		(4,5) 7,0	51°	3650		
AT 30/68 FS		(5,0) 7,5	51°	3850		



Type	A	B	C	D	E	F	G	H	I	L	M	N
AT 16-18/50 FS	5300	4800 5000	120	240	1420	120	1070	862	700 900	900	132	170
AT 16-18/56 FS	6110	5400 5600		260					1000			
AT 20/63 FS	6900	6080 6280	160	280	1460	120	1070	886	980 1180	1130	140	225
AT 22/59 FS	6200	5680 5880	120	260								
AT 22/63 FS	6900	6080 6280	160	280	1570	120	1070	886	980 1180	1160	160	240
AT 25/59 FS	6200	5680 5880	120	260								
AT 30/56 FS	6150	5475 5675	160	280	1570	120	1070	886	825 1025	1230	160	240
AT 30/63 FS	6700	6085 6285							980 1180			
AT 30/68 FS	7200	6600 6800	160	280	1570	120	1070	886	1100 1300	1230	160	240

E= Varying measures depending on different needs